

Pipe

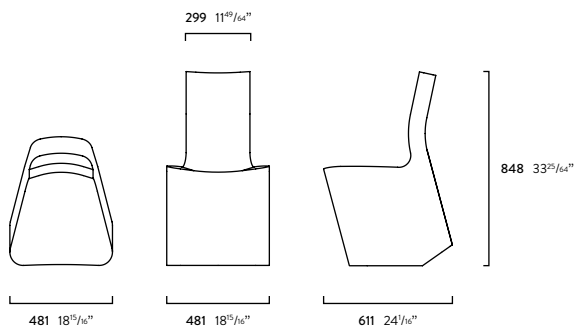
Design by José Ferreira

MOVECHO®



Material:

Natural Agglomerated Cork



	W x D x H	Article no.	Pack	Weight
Pipe chair	W 481 x D 611 x H 848 mm W 18 ¹⁵ / ₁₆ " x D 24 ¹ / ₁₆ " x H 33 ²⁵ / ₆₄ "	110.001.001	1 pcs	13 kg 28 ² / ₃₂ lb



Natural Agglomerated Cork

Half Pipe

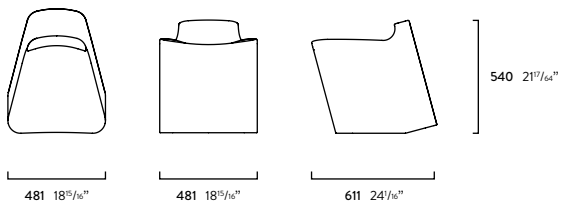
Design by José Ferreira

MOVECHO®



Material:

Natural Agglomerated Cork



	W x D x H	Article no.	Pack	Weight
Half Pipe	W 481 x D 611 x H 540 mm W 18 ⁵ / ₁₆ " x D 24 ¹ / ₁₆ " x H 21 ⁷ / ₁₆ "	110.002.001	1 pcs	10 kg 22 ³ / ₁₆ lb



Natural Agglomerated Cork

Cleaning and maintenance

MOVECHO®

The following care instructions are recommendations only. MOVECHO is not responsible for the inappropriate and incorrect maintenance of the products.

CORK

Being a natural material, it is susceptible to shade variations.

You should:

- Use a soft cloth slightly moistened with water. After cleaning, always use a dry cloth.
- In case of difficult dirt stains, gently rub the affected area with a 400 grit sandpaper.

Should not:

- Use any type of caustic or acid detergent containing chlorine, solvents (thinners) and abrasive products (such as hard sponges).
- Place hot objects in direct contact with the surfaces. The same applies to sharp objects.
- Expose furniture to direct sunlight (to prevent color changes).

WOOD

SOLID / SHEETS / MDF / PLYWOOD / MELAMINE / PHENOLIC

Being a natural material, they are susceptible to variations of shafts (solid wood and veneers) and shades.

You should:

- Immediately clean all liquids in contact with their surfaces.
- If there are grease stains, remove them with a soft cloth slightly moistened with neutral soap.

After cleaning, always use a dry cloth.

Should not:

- Use any type of caustic or acid detergent containing chlorine, solvents (thinners) and abrasive products (hard sponges).
- Place hot objects in direct contact with the surfaces. The same applies to sharp objects.
- Expose furniture to direct sunlight (to prevent color changes).

GLASS

TEMPERED / LACQUERED

You should:

- Remove the powder with a duster, then use a soft cloth (preferably 100% cotton) moistened with glass cleaner. After cleaning, always use

a dry cloth.

Should not:

- Use any type of caustic or acid detergent containing chlorine, solvents (thinners) and abrasive products (such as hard sponges).

METAL

INOX / STEEL / BRASS

You should:

- For a perfect finish, clean with a soft dry cloth or with a suede cloth.
- Clean without circular movements, only longitudinal direction.
- In the case of brass use a specific cleaner if it is oxidised.

Should not:

- Use abrasive products (such as hard sponges) or cleaning products with acids or active bases.

FABRICS

FABRIC / CARPET

You should:

- Protect the fabric from direct sunlight to prevent color fading.
- Regular cleaning using a vacuum cleaner and / or a steam engine is recommended.
- In fresh stains diligent action is recommended with a soft sponge or absorbent cloth without rubbing.

Should not:

- Rub stains
- Use products containing benzene, acids or other solvents.

ACRYLIC

You should:

- Use a soft cloth slightly moistened with water. After cleaning, always use a dry cloth.

Should not:

- Expose to direct sunlight (to prevent shape from changing)
- Use any type of caustic or acid detergent containing chlorine, solvents (thinners) and abrasive products (hard sponges).
- Place hot objects in direct contact with the surfaces. The same applies to sharp objects.

VALCHROMAT

You should:

- Use a soft dry cloth.
- In case of stain use an oil based on Paraffinum Liquidum, Isopropyl, Palmitate, Tocopheryl Acetate (eg Johnson's Oil).

Should not:

- Expose furniture to direct sunlight (to prevent color changes).
- Place hot objects in direct contact with the surfaces. The same applies to sharp objects.

LACQUERED SURFACES

You should:

- Use a soft cloth slightly moistened with water. After cleaning, always use a dry cloth.

Should not:

- Use any type of caustic or acid detergent containing chlorine, solvents (thinners) and abrasive products (hard sponges).
- Place hot objects in direct contact with the surfaces. The same applies to sharp objects.
- Expose furniture to direct sunlight (to prevent color changes).